

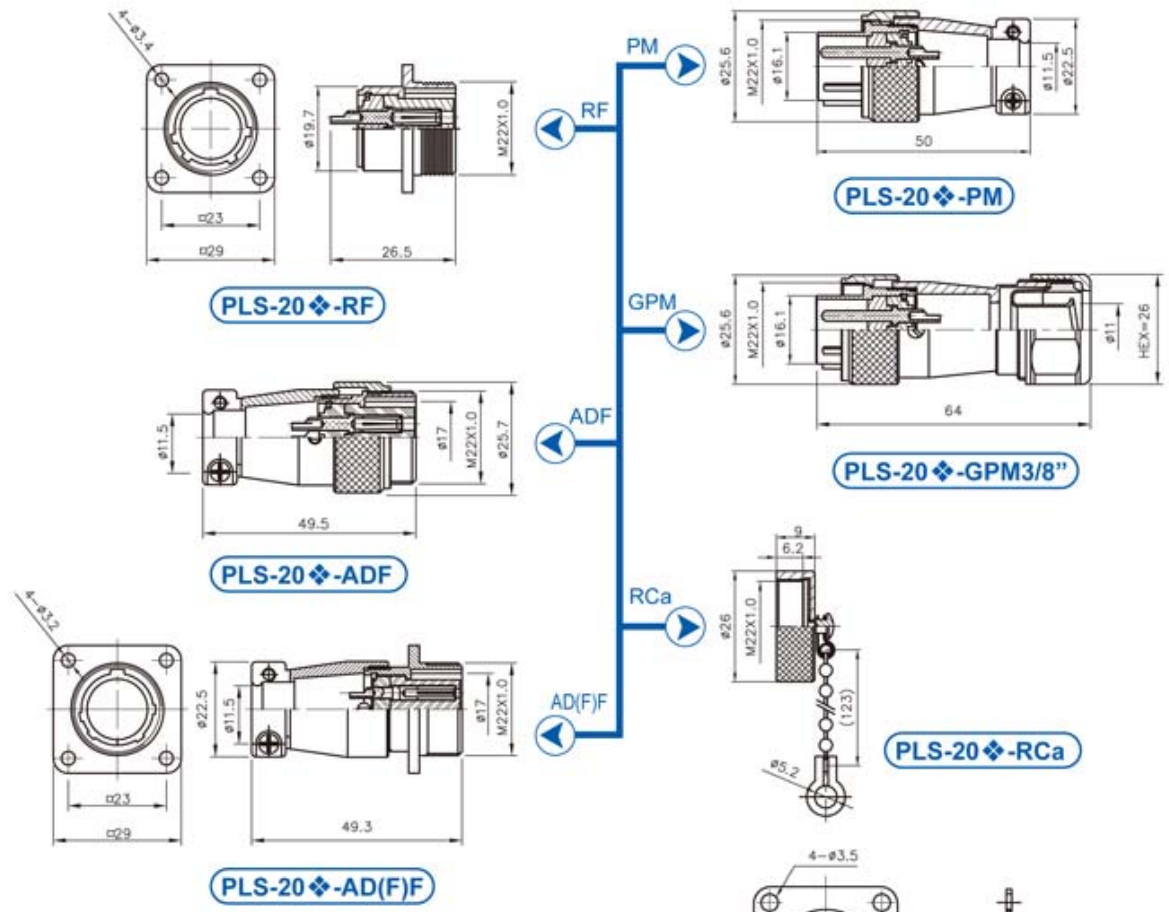


OUTPUT TYPE

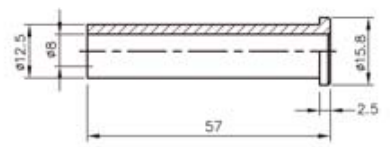
PLS Series - Output Type



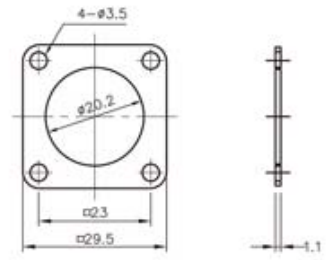
大豪电子
 电话: 0775-83233025
<http://www.szdahao.com>
<http://www.very-tec.com>



ACCESSORY:



RUBBER PLATE FOR PLS-20-PM



RUBBER TUBE FOR PLS-20-RF

◆ No. of contacts	2	3	4	7		
Contacts Configuration						
	TÜV	TÜV	TÜV	TÜV		
Rated current / voltage	15A 250V	15A 250V	15A 250V	10A 250V		
Operation limit voltage (AC.V.rms)	250	250	250	250		
Withstanding voltage (AC.V.rms) 1 minute	1500	1500	1500	1000		
Insulation resistance (MΩ MIN.) at DC 500V	2000	2000	2000	2000		
Contact resistance (MΩ MAX.) at DC 1A	3	3	3	3		
Solder inter diameter	1.8	1.8	1.6	1.6		