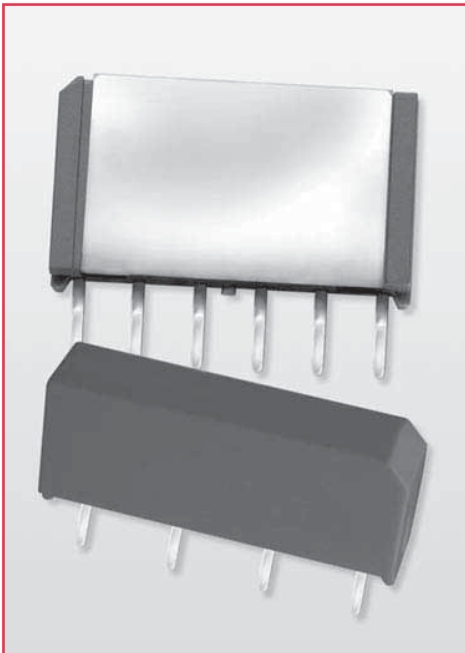


9091 & 9092 Miniature SIP Relays



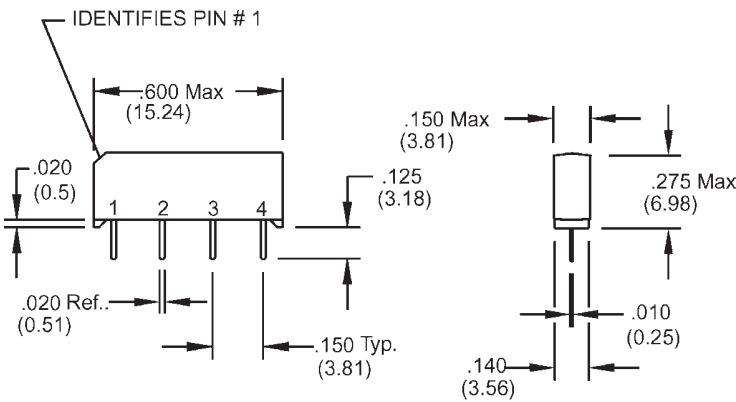
Miniature Molded SIP Reed Relays

The 9091 is a compact version of the 9001 using 40% less board space (LxW). Because of its increased height, the 9092 model allows for incorporation of 2 form A switches in the same board space. These miniature SIP relays utilize Coto's 10W switch technology, making these SIP relays ideal for use in ATE applications and other high reliability test, measurement and telecommunications applications where high board density and long life are key requirements.

Series Features

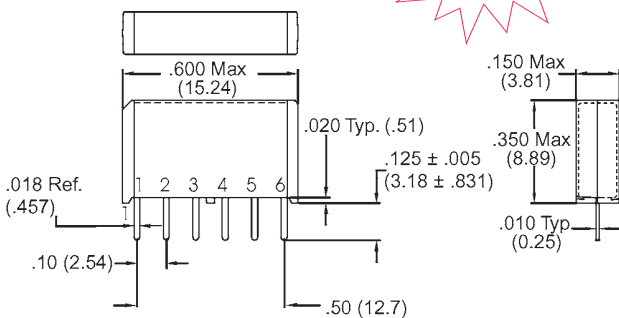
- ◆ 9091 is a 10W SIP relay measuring .600" x .150" x .275"
- ◆ 9092 is a 10W SIP relay measuring .600" x .150" x .350"
- ◆ Magnetic shield – reduces interaction
- ◆ Optional coil suppression diode protects coil drive circuits
- ◆ UL File # E67117
- ◆ High insulation resistance, $10^{12} \Omega$ minimum
- ◆ High speed switching
- ◆ Molded thermoset body on integral lead frame design
- ◆ High reliability, hermetically sealed contacts for long life

Model 9091



Dimensions in Inches (Millimeters)

Model 9092



Ordering Information

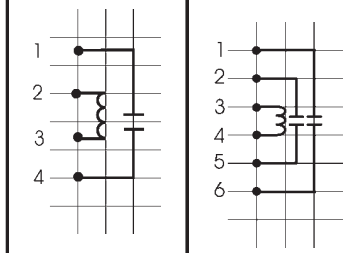
Part Number	90XX-XX-XX	
Model Number	9091 9092	General Options ²
Coil Voltage	05 = 5 volts 12 = 12 volts	0 = No Diode 1 = Diode
Magnetic Shield (9091)	0 = No Shield 1 = Mag Shield (9091 Internal, 9092 External)	

9091 & 9092 Miniature SIP Relays



Model Number			9091 ^{2,4} (10 Watt)	9092 ^{2,4} (10 Watt)
Parameters	Test Conditions	Units	1 Form A SIP	2 Form A SIP
COIL SPECS.				
Nom. Coil Voltage		VDC	5 12	5 12
Max. Coil Voltage		VDC	6.5 15.0	6.5 15.0
Coil Resistance	+/- 10%, 25° C	Ω	500 1000	375 750
Operate Voltage	Must Operate by	VDC - Max.	3.75 9.0	3.75 9.0
Release Voltage	Must Release by	VDC - Min.	0.4 1.0	0.4 1.0
CONTACT RATINGS				
Switching Voltage	Max DC/Peak AC Resist.	Volts	200	200
Switching Current	Max DC/Peak AC Resist.	Amps	0.5	0.5
Carry Current	Max DC/Peak AC Resist.	Amps	1.5	1.2
Contact Rating	Max DC/Peak AC Resist.	Watts	10	10
Life Expectancy-Typical ¹	Signal Level 1.0V, 10mA	x 10 ⁶ Ops.	500	500
Static Contact Resistance (max. init.)	50mV, 10mA	Ω	0.125	0.140
Dynamic Contact Resistance (max. init.)	0.5V, 50mA at 100 Hz, 1.5 msec	Ω	0.150	0.200
RELAY SPECIFICATIONS				
Insulation Resistance (minimum)	Between all Isolated Pins at 100V, 25°C, 40% RH	Ω	10 ¹²	10 ¹²
Capacitance - Typical Across Open Contacts		pF	0.1	1.0
Open Contact to Coil		pF	2.0	1.4
Dielectric Strength (minimum)	Between Contacts	VDC/peak AC	200	200
	Contacts to Coil	VDC/peak AC	1500	1500
Operate Time - including bounce - Typical	At Nominal Coil Voltage, 30 Hz Square Wave	msec.	0.5	0.75
Release Time - Typical	Zener-Diode Suppression ³	msec.	0.30	0.5

Top View:
Grid = .1"x.1" (2.54mm x 2.54mm)



Notes:

- ¹Consult factory for life expectancy at other switching loads. Resistance >0.5Ω defines end of life or failure to open.
- ²Optional diode is connected to pin #2 (+) and pin #3(-) for 9091; pin #3 (+) and pin #4(-) for 9092. Correct coil polarity must be observed.
- ³Consists of 56V Zener diode and 1N4148 diode in series, connected in parallel with coil.
- ⁴9091 internal mag shield. 9092 external mag shield.

Environmental Ratings:

Storage Temp: -35°C to +100°C; Operating Temp: -20°C to +85°C
Solder Temp: 270°C max; 10 sec. max
The operate and release voltage and the coil resistance are specified at 25°C. These values vary by approximately 0.4% / °C as the ambient temperature varies.
Vibration: 20 G's to 2000 Hz; Shock: 50 G's