



MAIN FEATURES

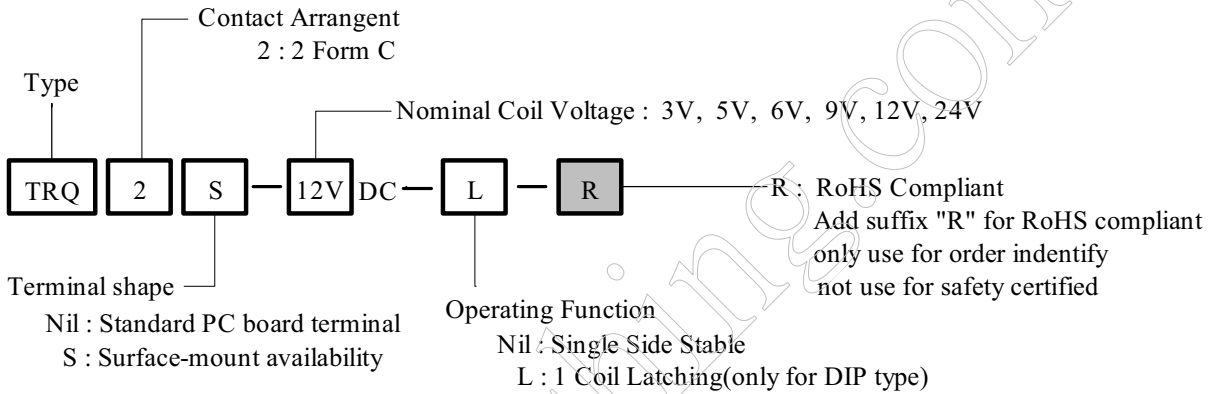
- DIL Pitch Terminals High Sensitivity: 0.14W Nominal Power.
- Conforms to FCC Part 68 1.5Kv Surge and Dielectric 1000VAC.
- Monostable or bistable relays Single and double Coil magnet -latching Type available.
- Contact arrangement: 2 Form C
- UL & cUL recognized.

APPLICATIONS

- Telecommunication Equipment, Office Equipment, Security Alarm Systems, Measuring instruments, Medical Monitoring Equipment, Audio Visual Equipment, Flight Simulator, Sensor Control.



ORDERING INFORMATION



DIMENSION (unit:mm)

DRILLING (unit:mm)

WIRING DIAGRAM

